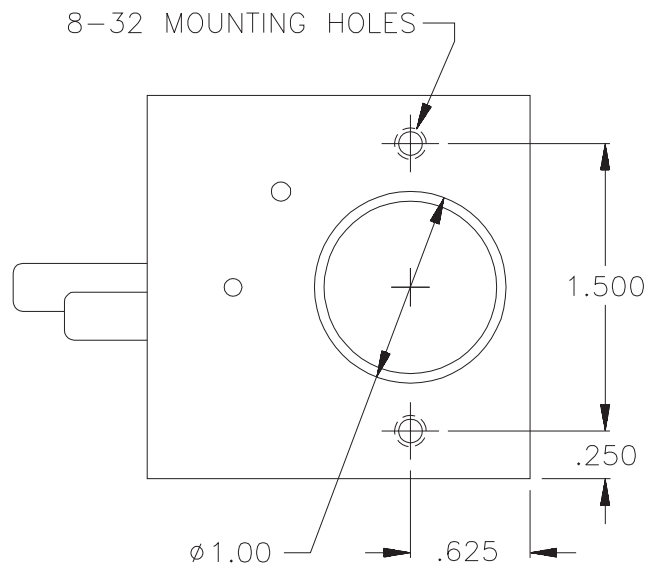
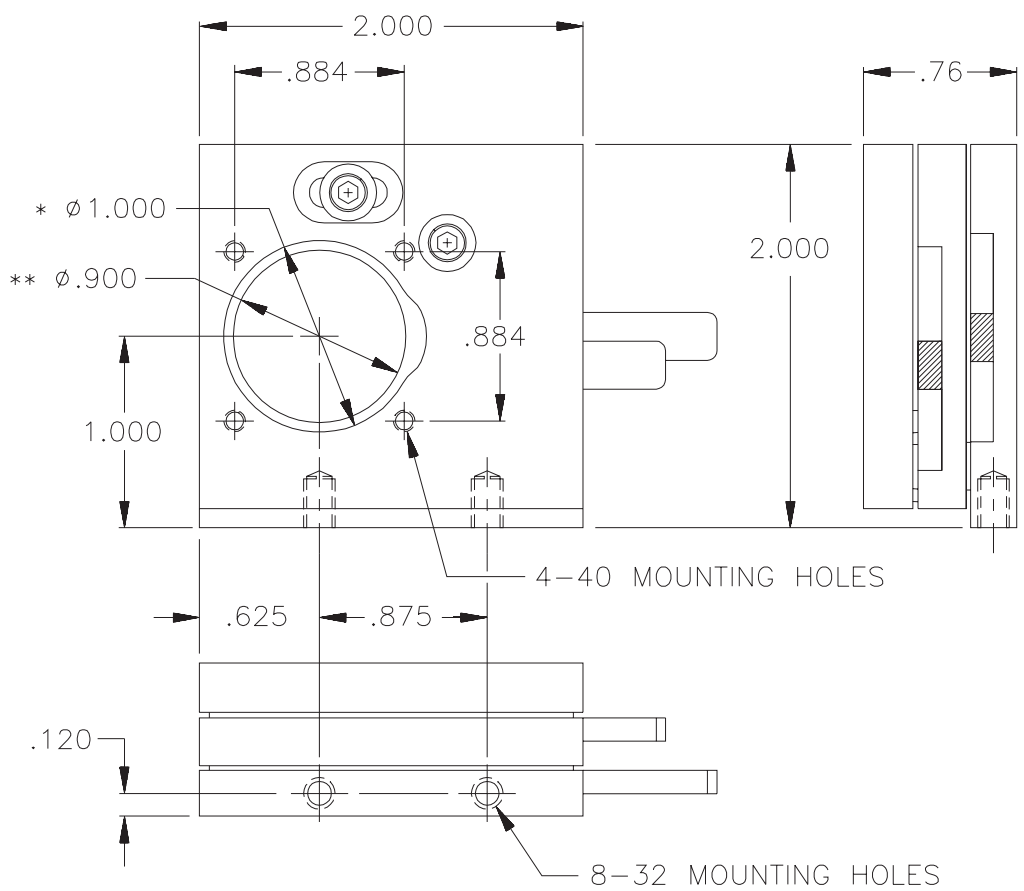


REVISIONS

ZONE	REV	DESCRIPTION	DATE	APPROVED
------	-----	-------------	------	----------

* MAXIMUM COMPONENT DIAMETER - ϕ 1.000
 ** CLEAR APERTURE - ϕ .900



3. FINISH: BLACK ANODIZE
 2. MATERIAL: AL 6061-T6 OR EQUAL.
 1. DO NOT SCALE DRAWING
- NOTES: UNLESS OTHERWISE SPECIFIED

CLASSIFICATION PRODUCTION	
CONTRACT/FILEMANE 250-0025-000	
DRAWN BY RS	DATE 17SEP93
APPROVED BY	DATE
TOLERANCES (DIMENSIONS IN INCHES)	
X.X = \pm 0.05	
X.XX = \pm 0.01	
X.XXX = \pm 0.005	
X.XXXX = \pm 0.0005	
ANGLE \pm 0.5 DEGREES	

OPTIMA PRECISION INC.

XY Translator, ϕ 25.4mm

A	FMSC NO	DRAWING NO	REV
		250-0025-000	-
SCALE 1x	05AUG01	SHEET 1 OF 1	